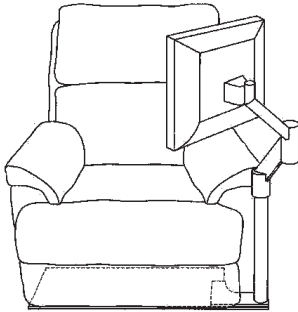


# The Easy Chair Mount

## Assembly instructions

WWW.EASYCHAIRMOUNT.COM

Patent Pend.



Thank you for purchasing the Easy Chair Mount system. We are confident that your computer viewing experience will be more convenient and comfortable.

**Caution:**

The Easy Chair Mount is not a free standing equipment platform. Furniture of sufficient weight must be placed upon the platform to ensure upright stability. Please see Table (A) for details on the required furniture weight.

Table A

Flat Panel Monitor Weight (24" Arm)	Required Furniture Weight (at center of Mount Plate)
10 pounds	80 pounds
14 pounds	100 pounds
18 pounds	120 pounds
22 pounds	140 pounds

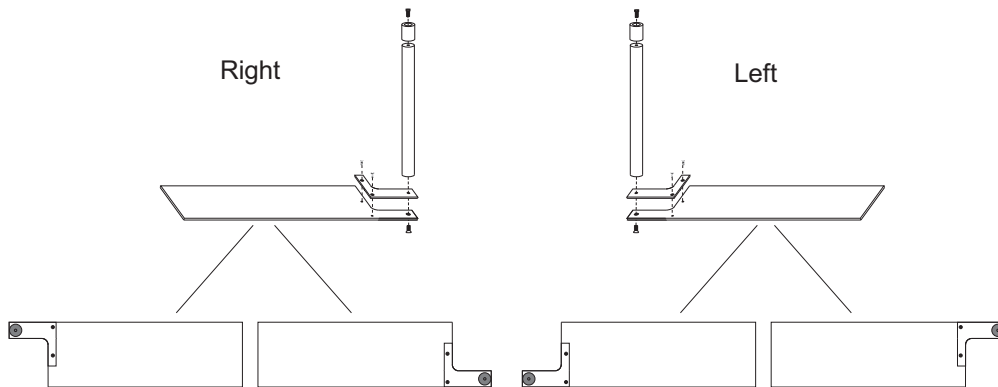
### Hardware Parts List – The Easy Chair Mount

<u>Item</u>		<u>Quantity</u>
A. Mount Plate (size 36"x 10")		1
B. Reinforcing Plate (size 7" x6")		1
C. Extension tube (size 20" x2")		1
D. 3/8 - 16 x 3/4" Flat Socket Cap Screw		1
E. 1/4 - 24 x 1/2" Flat Socket Cap Screw		2
F. 3/8 - 16 x 3/4" Cap Screw		1
G. M4 x 12 Phillips Screw		4
H. M4 x 30 Phillips Screw		4
I. Plastic Monitor Mount Spacer		4
J. 5/32" Allen Wrench		1
K. 7/32" Allen Wrench		1

## Hardware Parts List – The Easy Chair Mount (Continued)

<u>Item</u>		<u>Quantity</u>
L. Mount Cup		1
M. Felt Pad		5
N. LCD Arm		1
I. CableTie		3

The Easy Chair Mount may be assembled in two different ways (four different configurations), to accommodate your individual requirements. Choose the arrangement which best suits your furniture.



See Figure 1.

### STEP 1

Attach the Reinforcing Plate (B) on top of the Mount Plate (A) with two 1/4 - 24 x 1/2" Flat Socket Cap Screws (E). (Do not tighten yet).

### STEP 2

Attach the Extension Tube (C) to the Mount Plate-Reinforcing Plate assembly (A-B) with the 3/8 - 16 x 3/4" Flat Socket Cap Screw (D). Tighten all Screws.

### STEP 3

Attach the Mount Cup (L) to top of tube (C) with 3/8 - 16 x 3/4" Cap Screw (F).

### STEP 4 (optional)

Apply felt pads (M) to bottom of Mount Plate to protect floor.

### STEP 5

Place The Easy Chair Mount Plate under two legs of your Chair or Couch.

See Figure 2.

### STEP 6

Place the LCD arm (N) into the Mount Cup (L) at the top of the Extension Tube.

### STEP 7

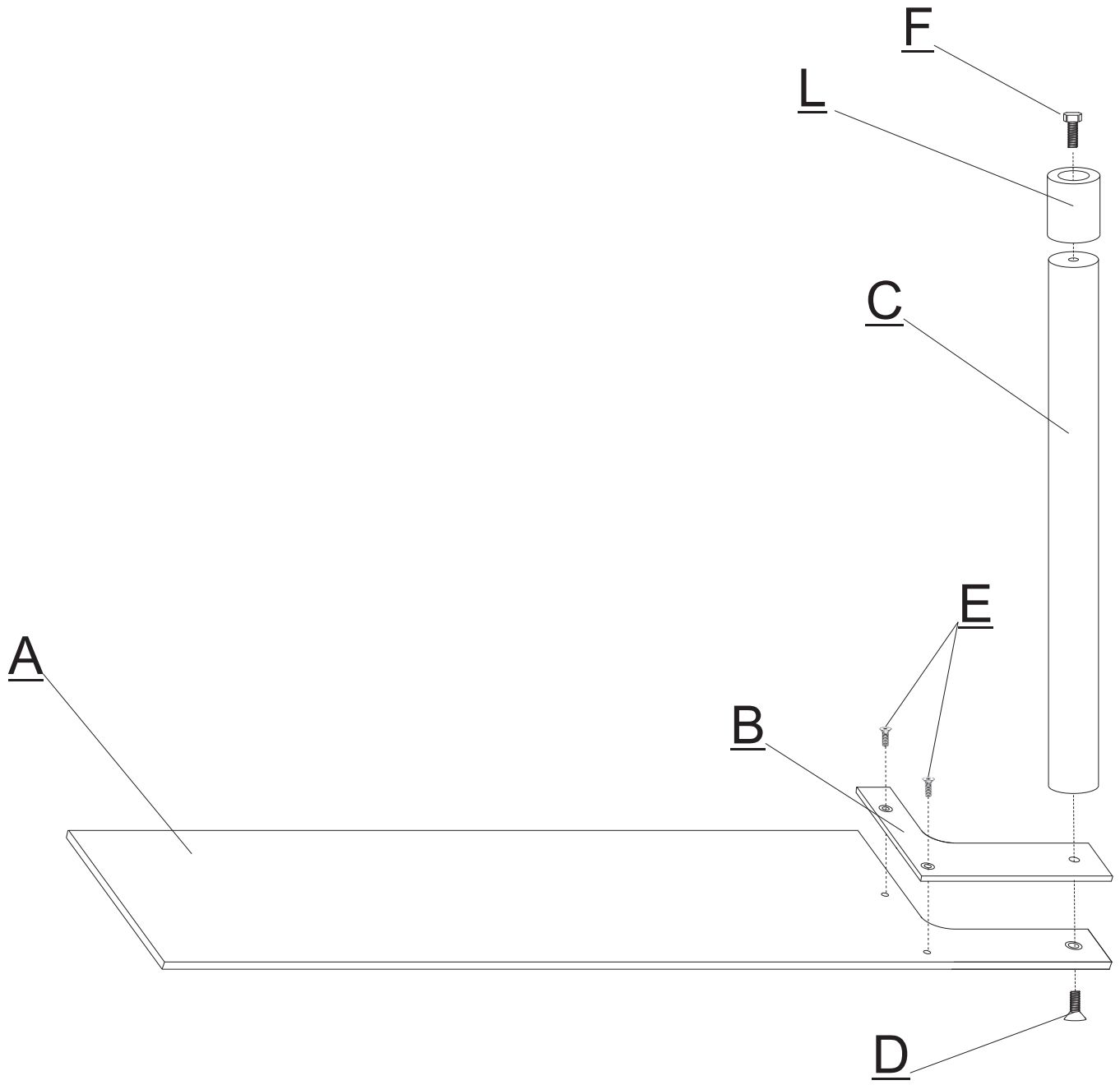
Attach your LCD Monitor to LCD Arm (N) using screws (G or H). Use of plastic spacers (I) is optional.

### STEP 8

Use the included cable management and black zip ties to secure monitor cables to the arm and extension tube.

# The Easy Chair Mount

---

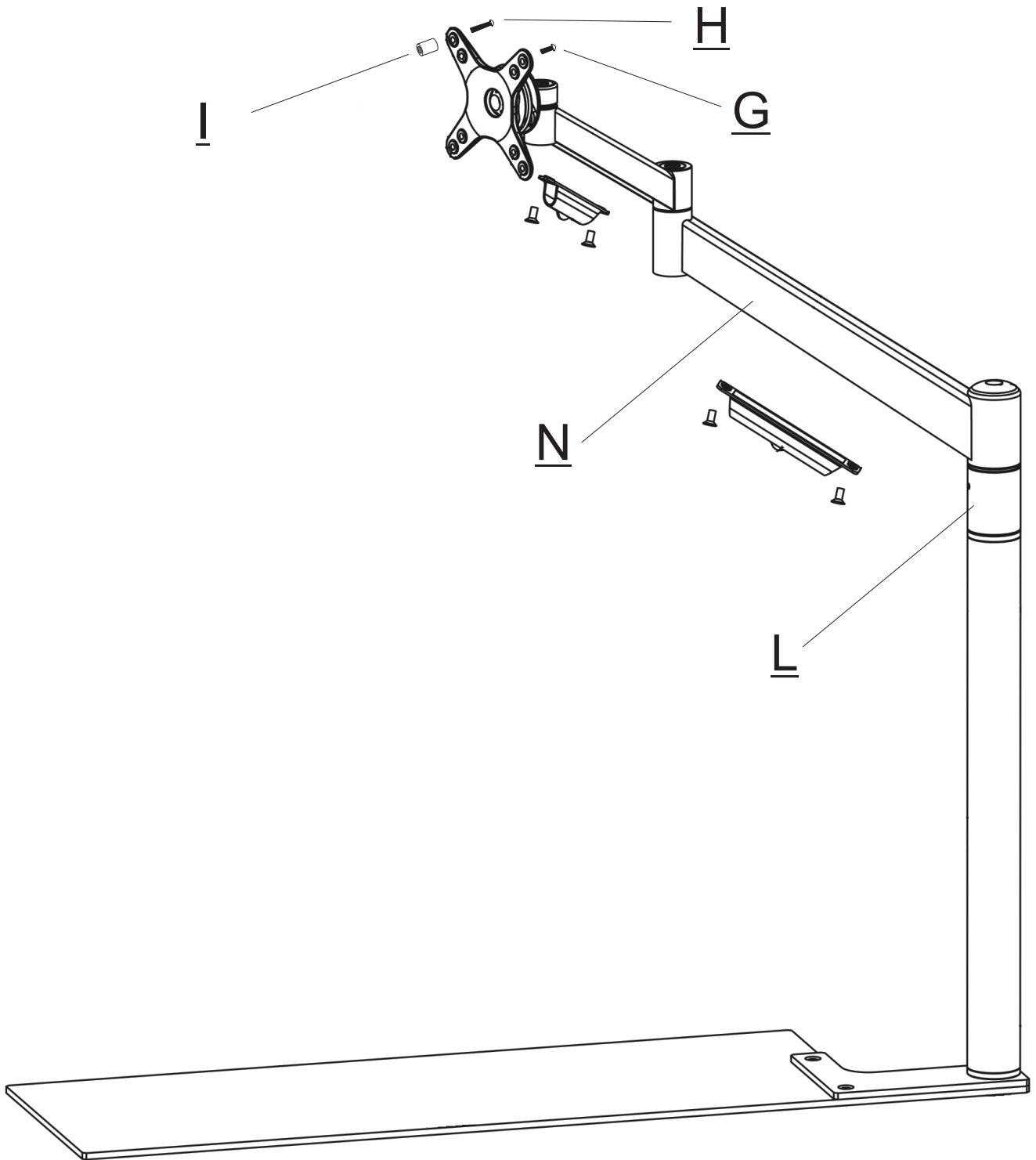


**Figure 1.**

---

# The Easy Chair Mount

---



**Figure 2.**

---